

DRILLING & COUNTERSINKING

WPW Tailor Made Solutions

For decking and other joinery exterior and interior applications.



PROBLEM

Cracking / splitting
when using screws
to join wood!

SOLUTION

Pre-drill pilot hole,
clearance hole
and countersink.

Use WPW Countersink & Stop system, for a long lasting perfect joint.

**WPW**
CREATIVE CUTTING SOLUTIONS

Since 1959

JOINING WOOD WITH SCREWS NOT SUCH A SIMPLE JOB.

WPW tips will help you to understand this issue and avoid problems such as wood cracking

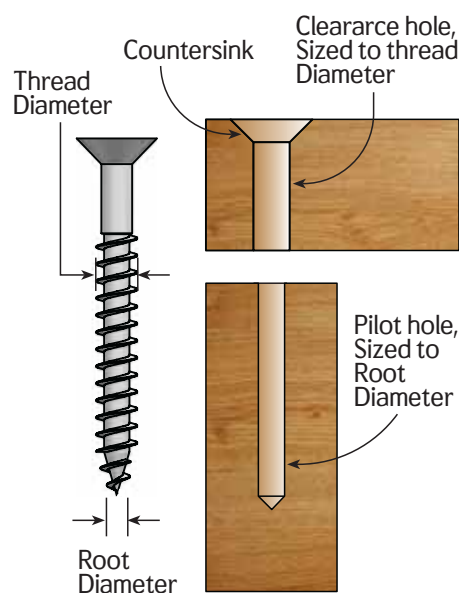
When joining 2 pieces of wood using screws, it is essential to predrill and countersink in order to achieve an esthetic and long lasting finish.

- Pilot hole - in the bottom board.

- Clearance hole and Countersink - in the top board

The pilot hole diameter should roughly match the root diameter of the screw. It can be slightly smaller for softwood.

The clearance hole should be slightly larger than the diameter of the threads. For decking jobs, it is not usually necessary to pre-drill the bottom board, as it will always be hidden from view.



Skipping the predrilling process

This might cause splitting and cracking of the wood or even breakage of the screw when using hardwood or composite materials.

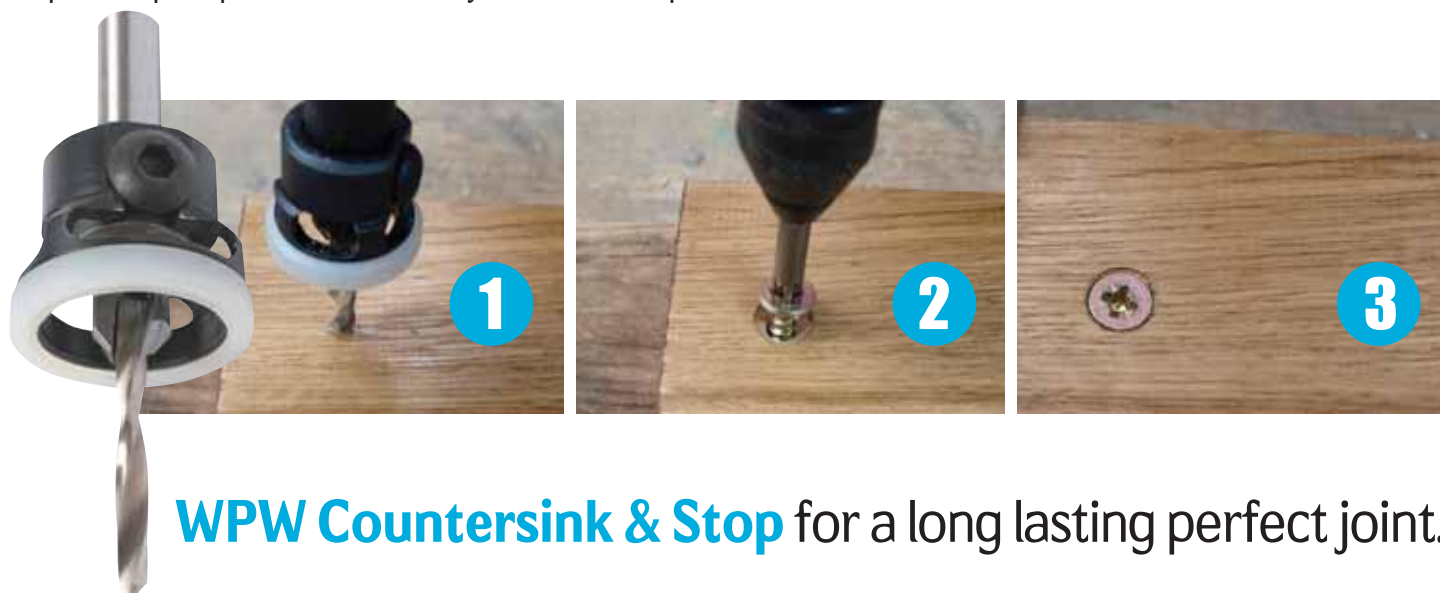
This failure can appear immediately after driving the screw, or after a certain period, due to not enough room for the wood to expand and contract as moisture levels in the wood change due to it being exposed to the weather.

Avoid cracking - always predrill before driving a screw!

Drilling a clearance hole and countersink

Clearance hole ensures a tight joint, allowing the screw to pass freely through the top board. The screw engages only the bottom board. Hence, the upper board is pulled down to the bottom board.

Countersink is needed to set screws flush or below the surface of the board! Depth-Stop helps to achieve always the same depth of the countersink.



WPW Countersink & Stop for a long lasting perfect joint.



**COUNTERSINK
& STOP**

CARBIDE TIPPED COUNTERSINK WITH DEPTH-STOP

For clean surface and simple depth control. No scratches! No burn marks!

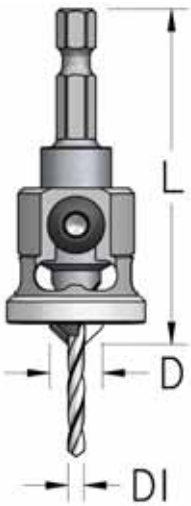
Unique adjustable depth-stops, developed for quick and easy adjustment of the countersink depth. The user-friendly design enables easy control of the drill length and its replacement. Disassembly of the Depth-Stop is not needed. Special double-sided hex key (1/8" x 4) included.



AQP

Countersink with Low friction Depth-Stop

Antifriction polymer collar. HSS drill included.
Quick-Change 1/4" (6.3mm) HEX shank.

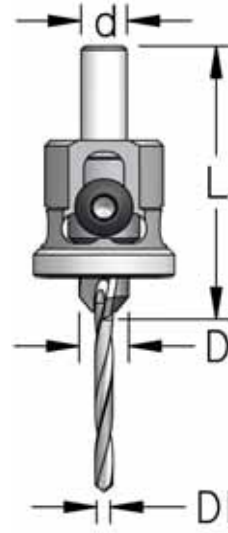


Tool No.	DI	D	L
AQP2004S	2.0	9.5	60
AQP2404S	2.4	9.5	60
AQP2504S	2.5	9.5	60
AQP2804SC	2.8	9.5	60
AQP3004SC	3.0	9.5	60
AQP3204SC	3.2	9.5	60
AQP3604SC	3.6	12.7	60
AQP4004SC	4.0	9.5	60
AQP4014SC	4.0	10	60
AQP4504SC	4.5	9.5	70
AQP5004SC	5.0	12.7	70
AQP6004SC	6.0	12.7	70

ATP

Countersink with Low friction Depth-Stop

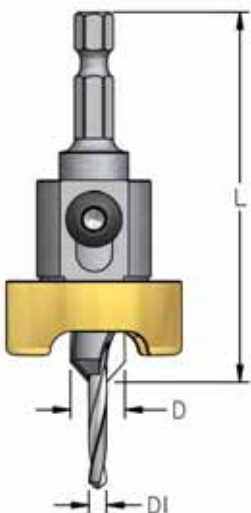
Antifriction polymer collar.
Round shank. Slow Spiral HSS drill included.



Tool No.	DI	D	L	d
ATP2405D	2.4	8.5	49	8
ATP2505D	2.5	8.5	49	8
ATP3005D	3.0	10	49	8
ATP3205D	3.2	9.5	49	8
ATP3285D	3.2	12.7	51	8
ATP3505D	3.5	10	49	8
ATP3605D	3.6	10	49	8
ATP4005D	4.0	10	50	8
ATP4405D	4.4	11.1	50	8
ATP4807D	4.8	11.1	51	9.5
ATP4817D	4.8	12.7	51	9.5
ATP5005D	5.0	10	50	8
ATP5007D	5.0	12	51	9.5
ATP6007D	6.0	12.7	51	9.5

ABB

Countersink & Stop PRO

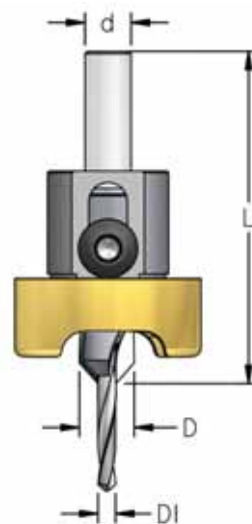


Non-Friction metal stopper with thrust ball bearing.
Assures a strong and long lasting tool.
Efficient and easy chip evacuation
Quick-Change 1/4" (6.3mm) HEX shank. HSS drill included.

Tool No.	DI	D	L
ABB2404S	2.4	9.5	66
ABB3204SC	3.2	9.5	66
ABB3604SC	3.6	9.5	66
ABB4004SC	4.0	9.5	66
ABB4404SC	4.4	12.7	70
ABB4504SC	4.5	12	70

ALB

Countersink & Stop PRO



Non-Friction metal stopper with thrust ball bearing.
Assures a strong and long lasting tool.
Efficient and easy chip evacuation.
Round shank.
Short HSS drill included.

Tool No.	DI	D	L	d
ALB5017SC	5.0	10	65	10
ALB5007SC	5.0	12	65	10
ALB6007SC	6.0	12.7	65	10



TACB806

Countersink Adaptor & Stop PRO. For clean surface and simple depth control.

Non-Friction revolving metal depth stopper with thrust ball bearing. Combines the professional TCT WPW - countersinks and counterbores, with the unique - heavy duty depth stopper. Open space at the front - for efficient chip evacuation, enabling continuous work. Round shank 9.5mm. Special double-sided hex key (1/8" x 4) included.

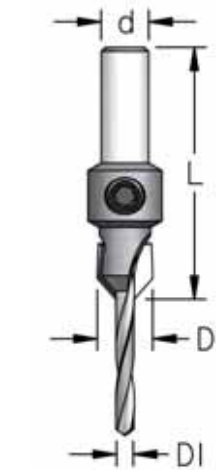
Fits most standard WPW Countersinks and counterbores with 8mm shank.



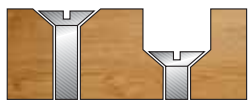
ACO...D

Carbide Tipped Countersink

Slow Spiral HSS drill included.
Round shank.



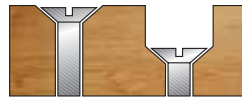
Tool No.	DI	D	L	d
AC02405D	2.4	8.5	44	8
AC02805D	2.8	9.5	44	8
AC03005D	3.0	10	44	8
AC03215D	3.2	8	44	8
AC03205D	3.2	9.5	44	8
AC03285D	3.2	12.7	49	8
AC03605D	3.6	10	44	8
AC04005D	4.0	10	44	8
AC04405D	4.4	11.1	44	8
AC04807D	4.8	11.1	51	9.5
AC04817D	4.8	12.7	49	9.5
AC05007D	5.0	12	51	9.5
AC05607D	5.6	12	47	9.5
AC05617D	5.6	12.7	49	9.5
AC06007D	6.0	12.7	47	9.5
AC06317D	6.3	12.7	47	10
AC06307D	6.3	13	47	10



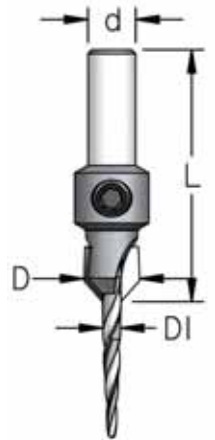
ACO...T

Carbide Tipped Countersink

Taper Point HSS drill included.
Round shank.



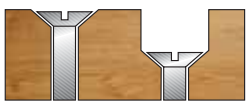
Tool No.	DI	D	L	d
AC03205T	3.2	9.5	44	8
AC03605T	3.6	10	44	8
AC04005T	4.0	10	44	8
AC04405T	4.4	11.1	44	8
AC04807T	4.8	11.1	51	9.5



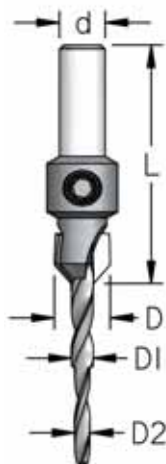
ACO...M

Carbide Tipped Countersink

Stepped HSS drill included. Round shank.



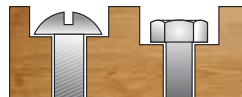
Tool No.	DI	D2	D	L	d
AC03605M	3.6	2.4	10	44	8
AC04005M	4.0	2.8	10	44	8
AC04405M	4.4	3.2	11.1	44	8
AC05007M	5.0	3.5	12	51	9.5



AC4...D

Carbide Tipped Counterbore (flat bottom)

Slow Spiral HSS drill included. Round shank.



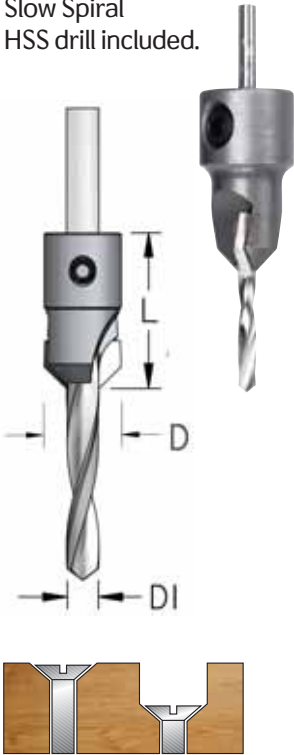
Tool No.	DI	D	L	d
AC43205D	3.2	9.5	48	8
AC44005D	4.0	10	48	8
AC44405D	4.4	10	48	8
AC44817D	4.8	12.7	48	9.5
AC45617D	5.6	12.7	48	9.5
AC46017D	6.0	12.7	48	9.5
AC46317D	6.3	12.7	48	9.5



AC2/AS2

Carbide Tipped Countersink - Shankless

Slow Spiral
HSS drill included.

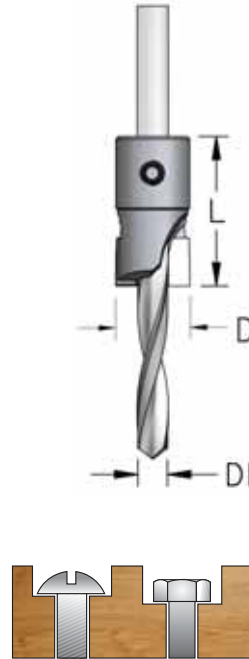


Tool No.	DI	D	L
AS22800D	2.8	9.5	28
AS23000D	3.0	9.5	28
AS23200D	3.2	9.5	28
AC21232D	3.2	12.7	32
AS23500D	3.5	9.5	28
AS23600D	3.6	9.5	28
AS24000D	4.0	9.5	30
AC21240D	4.0	12.7	32
AS24400D	4.4	9.5	30
AS24810D	4.8	12.7	30
AC21648D	4.8	16	32
AS25610D	5.6	12.7	30
AC21656D	5.6	16	32
AS26310D	6.3	12.7	30
AC26320D	6.3	16	32
AC27020D	7.0	16	39
AC28020D	8.0	16	39
AC28030D	8.0	19	39
AC29530D	9.5	19	39
AC22595D	9.5	25.4	52
AC22811D	11.1	28.6	52

AC4

Carbide Tipped Counterbore Shankless

Slow Spiral
HSS drill included.



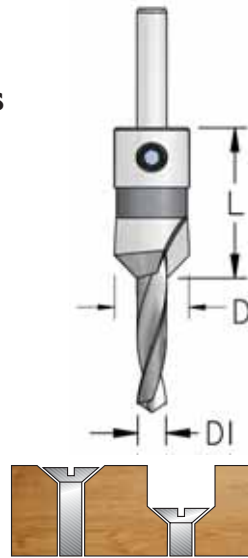
Tool No.	DI	D	L
AC49540D	4.0	9.5	32
AC49548D	4.8	9.5	32
AC41248D	4.8	12.7	32
AC41263D	6.3	12.7	32
AC41648D	4.8	16	32
AC41963D	6.3	19	38
AC42263D	6.3	22.2	38
AC42512D	12.7	25.4	51
AC42595D	9.5	25.4	51
AC42812D	12.7	28.6	51
AC46320D	6.3	16	32
AC47020D	7.0	16	38
AC48020D	8.0	16	38
AC48030D	8.0	19	38
AC49530D	9.5	19	38

AP2

HS Countersink - Shankless

Slow Spiral HSS drill included.

Tool No.	DI	D	L
AP21232D	3.2	12.7	32
AP21240D	4.0	12.7	32
AP21648D	4.8	16	32
AP21656D	5.6	16	32
AP21663D	6.3	16	32
AP21980D	8.0	19	38
AP22595D	9.5	25.4	38

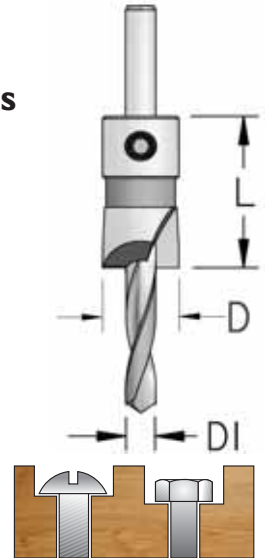


AP4

HS Counterbore - Shankless

Slow Spiral HSS drill included.

Tool No.	DI	D	L
AP49540D	4.0	9.5	32
AP41248D	4.8	12.7	32
AP41263D	6.3	12.7	32
AP41648D	4.8	16	32
AP41663D	6.3	16	32
AP41963D	6.3	19	38
AP41695D	9.5	16	32
AP42595D	9.5	25.4	51
AP42512D	12.7	25.4	51
AP42812D	12.7	28.6	51

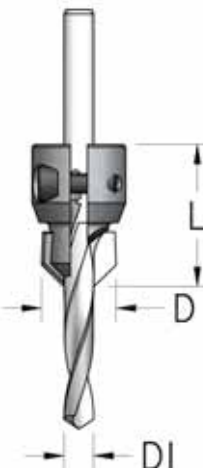


MULTI-DIAMETER TCT COUNTERSINKS & COUNTERBORES

Carbide tipped. Shankless, for assembling on drills.

One tool fits over drills of different sizes, for a quick and easy change on the job. Rather than have a set of tools that may not be the size you need, you could replace them with one adjustable tool.

Note: Counterbore and Countersink Dia. (D) depends on drill Dia. (DI)



ACM Multi-Diameter Countersink

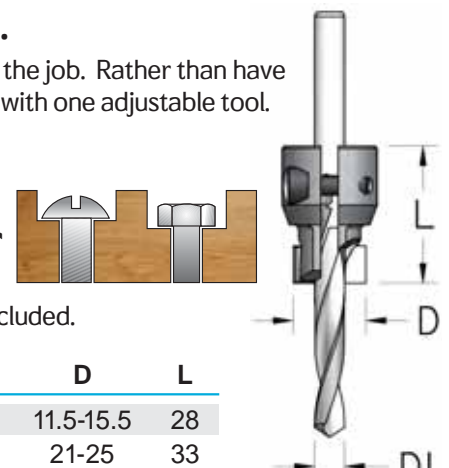
Slow Spiral HSS drill included.

Tool No.	DI	D	L
ACM3070D	3-7.2	12-16	29
ACM6010D	6-10	15.5-19.5	34

AC4M Multi-Diameter Counterbore

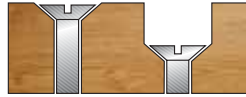
Slow Spiral HSS drill included.

Tool No.	DI	D	L
AC4M370D	3-7.2	11.5-15.5	28
AC4M610D	6-10	21-25	33



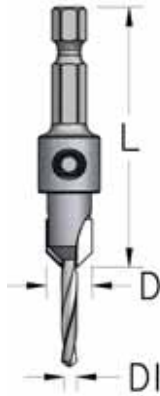
ASO...S

Carbide Tipped Countersink



HSS drill included. Quick-Change 1/4" (6.3mm) HEX shank.

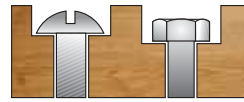
Tool No.	DI	D	L
AS02004S	2.0	9.5	54
AS02404S	2.4	9.5	54
AS02504S	2.5	9.5	54
AS02804S	2.8	9.5	54
AS03204S	3.2	9.5	54
AS03504S	3.5	9.5	54
AS03604S	3.6	12.7	54
AS04004S	4.0	9.5	54
AS04804S	4.8	12.7	70
AS05004S	5.0	12.7	70
AS06004S	6.0	12.7	70
AS06014S	6.0	15	70



AS4...D

Carbide Tipped Counterbore

Slow Spiral HSS drill included. Quick-Change 1/4" (6.3mm) HEX shank.



Tool No.	DI	D	L
AS44004D	4.0	9.5	55
AS44804D	4.8	9.5	55
AS44814D	4.8	12.7	70
AS45014D	5.0	14	70
AS46014D	6.0	15	70
AS46304D	6.3	12.7	70

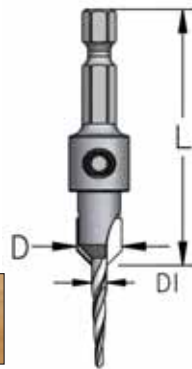
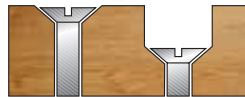


ASO...T

TCT Countersink with Taper Point Drill

Quick-Change 1/4" (6.3mm) HEX shank.

Tool No.	DI	D	L
AS02404T	2.4	9.5	54
AS03204T	3.2	9.5	54
AS03604T	3.6	12.7	54
AS04004T	4.0	9.5	54
AS04804T	4.8	12.7	70



3 STEPS DRILL BITS

For Connecting Screws (Confirmat, Directa etc.).
Performs 3 tasks in one operation:
Pilot hole, Clearance hole and Countersink.

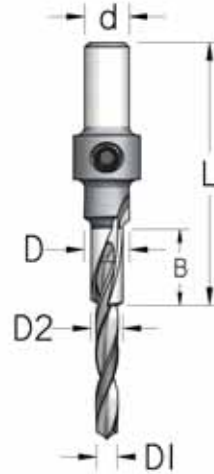
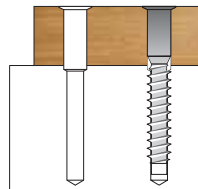
ACD

3 Steps Drill for laminated chipboard

Countersink *DHN treated. Slow Spiral HSS drill included. Round shank.

Tool No.	DI	D2	D	B	L	d
ACD0507D	3.5	5	8	15	53	10
ACD0657D	4.4	6.5	9.6	9.5	50	10
ACD0707KD	5.0	7	10	10	50	10
ACD0707D	5.0	7	10	19	59	10

*DHN - Advanced surface treatment for extended life

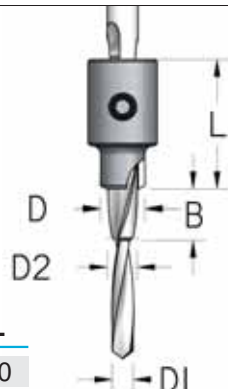


ACD

3 Steps Drill for MDF and other materials

HS Countersink.
Stepped HSS drill included.
Shankless countersink.

Tool No.	DI	D2	D	B	L
ACD0700D	5.0	7	10	5-25	30

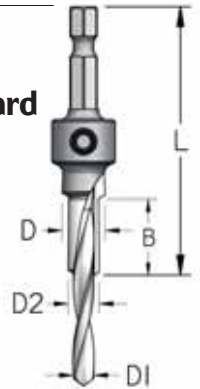


ASD

3 Steps Drill for laminated chipboard

Countersink *DHN treated.
Slow Spiral HSS drill included.
Quick-Change 1/4" (6.3mm) HEX Shank.

Tool No.	DI	D2	D	B	L
ASD0504D	3.5	5	8	15	60
ASD0704D	5.0	7	10	19	79





CYLINDER - HINGE BORING BITS

Carbide tipped with a centering point.

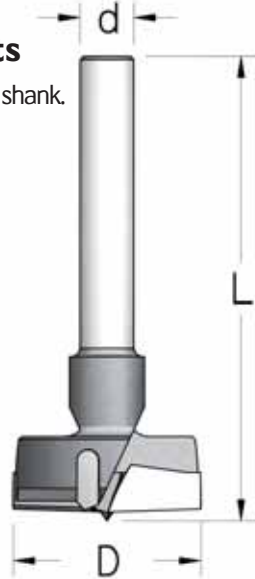
Typically used for recessing circular door hinges. For Blind holes and Through holes.

MP

Professional TCT Boring Bits

2 straight cutting edges and 2 spurs. Round shank.

Tool No.	D	L	d
MP15007	15	85	10
MP19007	19	85	10
MP20007	20	85	10
MP22007	22	85	10
MP25007	25	85	10
MP26007	26	85	10
MP30007	30	85	10
MP35007	35	85	10
MP38007	38	85	10
MP40007	40	85	10
MP45007	45	85	10
MP50007	50	85	10



HMP

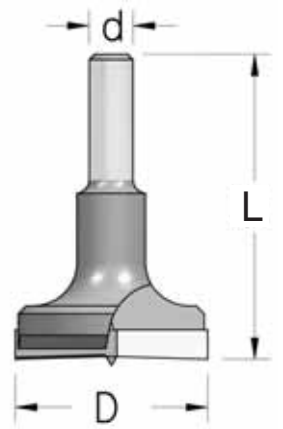
Economy TCT Boring Bits

2 straight cutting edges. No spurs. Round shank.

For best results use drill press.

For best results use drill press.

Tool No.	D	L	d
HMP2005	20	57	8
HMP2505	25	57	8
HMP2605	26	57	8
HMP3005	30	57	8
HMP3505	35	57	8



HMPS

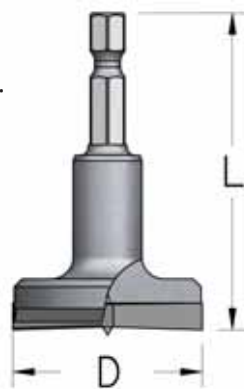
Economy TCT Boring Bits

2 straight cutting edges. No spurs.

Quick-Change 1/4" (6.3mm) HEX shank.

For best results use drill press.

Tool No.	D	L
HMPS154	15	55
HMPS204	20	55
HMPS254	25	55
HMPS264	26	55
HMPS304	30	55
HMPS354	35	55



HMPT

TCT Boring Bits

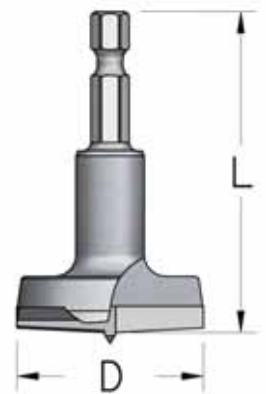
2 straight cutting edges.

Special design for better results.

Quick-Change 1/4" (6.3mm) HEX shank.

For best results use drill press.

Tool No.	D	L
HMPT154	15	58
HMPT264	26	58
HMPT354	35	58
HMPT404	40	58



BORING BITS WITH DEPTH-STOP

Unique adjustable depth-stop allows control of depth of blind holes when recessing circular door hinges.

Prevents damaging the door.

Clean surface and simple depth control.

No scratches! No burn marks!

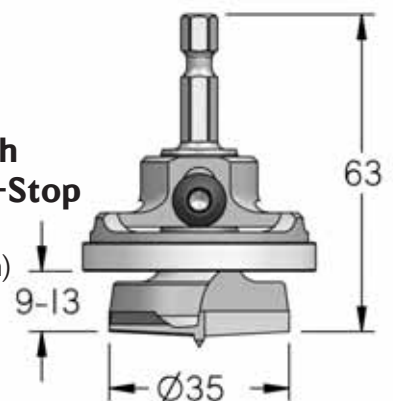
HMPTP354

TCT Boring Bits with Low friction Depth-Stop

Antifriction polymer collar.

Quick-Change 1/4" (6.3mm) HEX Shank.

For best results use drill press.



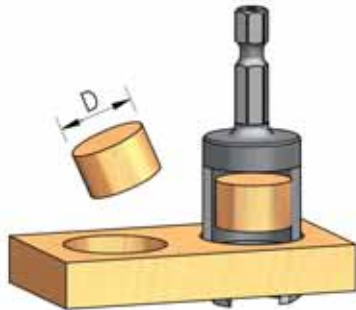
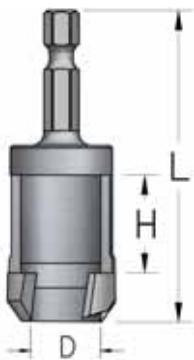


MNS

Plug Cutters - Self Ejecting

Heat-treated and **DHN*** treated.
One Flute.
For best results use drill press.
Quick-Change 1/4" (6.3mm)
HEX Shank.

Tool No.	D	H max	L
MNS0804	8.0	19	56
MNS0954	9.5	19	62
MNS1004	10	19	62
MNS1204	12	19	62
MNS1274	12.7	19	62
MNS1504	15	19	63
MNS1604	16	19	63
MNS1904	19	19	63

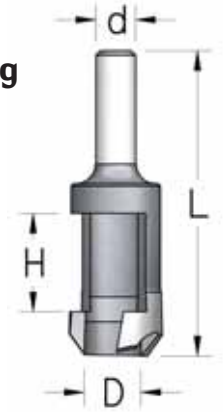


*DHN - Advanced surface treatment for extended life

MN

Plug Cutters - Self Ejecting

Heat-treated and **DHN*** treated.
One Flute.
For best results use drill press.



Tool No.	D	H max	L	d
MN09505	9.5	19	61	8
MN10005	10	19	61	8
MN12005	12	19	61	8
MN12705	12.7	19	61	8
MN16007	16	19	75	10
MN19007	19	19	75	10
Extra long design - up to 50mm length of plugs				
MNL0955	9.5	50	94	8

MN

Plug Cutters - Self Ejecting

HS Heat-treated steel.

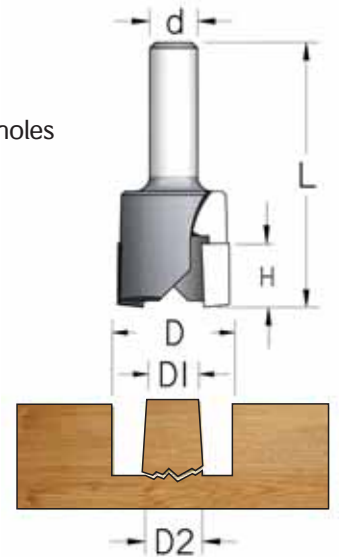
Tool No.	D	L	d
MN20008	20	140	13
MN25008	25	140	13
MN30008	30	140	13
MN35008	35	140	13



MNK

Tapered TCT Plug Cutters - 2 flutes

Drill press must be used.
For making tapered plugs up to 16mm long.
Ensures a tight fit - no gap around the plug.
Solves the problem of irregular holes or plugs as a result of runout in the drill press etc.
You just tap a plug into a hole until you meet resistance, then cut off the excess.



Tool No.	DI	D2	D	H max	L	d
MNK1302	12	13	27.5	16	72	12
MNK1602	15.5	16.2	29.5	16	71	12
MNK2002	18.3	19.5	33	16	71	12

MNT

Carbide Tipped Plug Cutters - 2 flutes

Drill press must be used.
For making plugs up to 16mm Long.

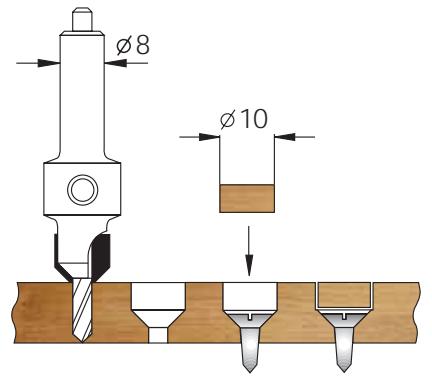
Tool No.	D	H max	L	d
MNT0953	9.5	16	58	6
MNT1003	10	16	58	6
MNT1203	12	16	58	6
MNT1603	16	16	58	6
MNT0952	9.5	16	65	12
MNT1272	12.7	16	65	12
MNT1602	16	16	65	12



COUNTERSINK & PLUG CUTTER SET

For decorative concealing of screw heads with wooden plugs.
The sets include TCT countersink bit and a matching plug cutter.

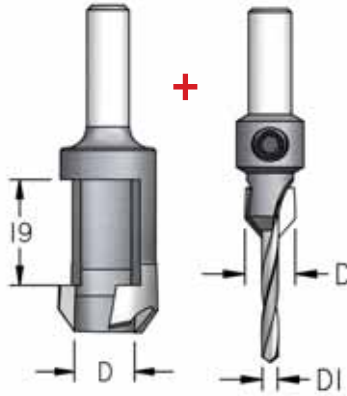
After driving the screw, dip the wooden plug in glue. Match up the grain orientation.
Then insert the plug and tap it down with a hammer.
Lastly, trim the plug flush, and use a sanding block to complete the job.



PL

Countersink & Plug Set

Includes TCT countersink bits with different drill diameters and a 10mm plug cutter (MN10005), which fits with all countersinks. Round shanks 8mm.



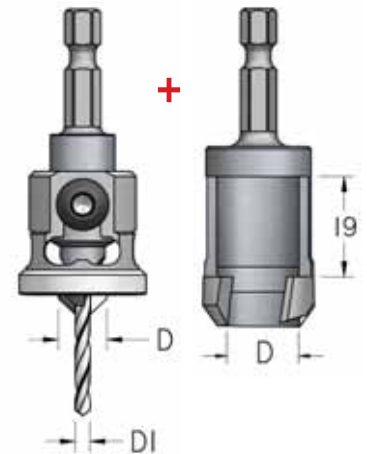
Set No.	Drill Dia (DI)	Plug Dia (D)
One Countersink + Plug Cutter		
PL10305	3.0	10
PL10325	3.2	10
PL10355	3.5	10
PL10365	3.6	10
PL10405	4.0	10
PL10445	4.4	10
PL10505	5.0	10
4 Countersinks + Plug Cutter		
PL40005	3.0, 3.5, 4.0, 5.0	10
PL41005	3.2, 3.6, 4.0, 4.4	10

PLP

Countersink & Stop Plug Set

Includes one TCT countersink bit with Depth-Stop and a matching plug cutter.
Unique adjustable Low Friction Depth-Stop for clean surface.
Quick-Change 1/4" (6.3mm) HEX Shanks.

Set No.	Drill Dia (DI)	Plug Dia (D)
One Countersink + Plug Cutter		
PLP1254	2.5	8
PLP1354	3.5	10
PLP1454	4.5	12
PLP1604	6.0	15



COUNTERSINK COMBINATION SETS

AQPS

Countersink & Stop 3pcs Set

Includes 3 TCT countersinks and one Low friction Depth-Stop which fits all 3 countersinks. Quick-Change 1/4" (6.3mm) HEX Shanks.



Set No.	Contains
AQPS014	AQ02504SC - 2.5mm countersink AQP3004SC - 3.0mm countersink & stop AQ04004SC - 4.0mm countersink

QCS

Countersink & Plug 7pcs Set

Includes 3 TCT countersinks, a matching plug cutter, Quick-Change Chuck and screwdriver bits.
Quick-Change 1/4" (6.3mm) HEX Shanks.



Set No.	Contains
QCS1104	AS02504S - 2.5mm countersink AS03004S - 3.0mm countersink AS04004S - 4.0mm countersink MNS0954 - 9.5mm plug cutter QCH6306 - Quick change chuck 3 Power screwdriver bits

TCT GLASS & TILE DRILLS

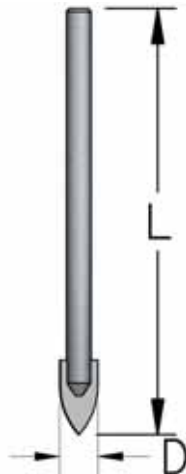
For use on glass, porcelain, tile and mirrors. When drilling glass, apply lubricant (water or light oil).

HMZ...0

Glass & Tile Drills

Round shank.

Tool No.	D	L
HMZ0300	3	58
HMZ0400	4	59
HMZ0500	5	62
HMZ0600	6	70
HMZ0800	8	81
HMZ1000	10	93
HMZ1200	12	105
HMZ1300	13	105

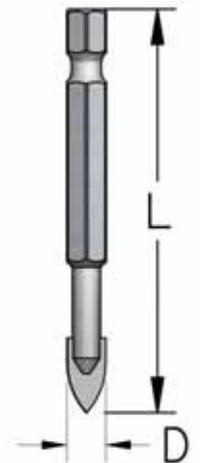


HMZ...4

Glass & Tile Drills

Quick-Change 1/4" (6.3mm) HEX Shanks.

Tool No.	D	L
HMZ0304	3	58
HMZ0404	4	59
HMZ0504	5	62
HMZ0604	6	70
HMZ0704	7	80
HMZ0804	8	81
HMZ1004	10	93
HMZ1204	12	105
HMZ1304	13	105



TDS

Drill Adapters

Converts all standard drill bits into Quick-Change tools. Quick-Change 1/4" (6.3mm) HEX Shanks.

Tool No.	D	L
TDS0200S	2.0	42
TDS0250S	2.5	42
TDS0280S	2.8	42
TDS0300S	3.0	42
TDS0320S	3.2	42
TDS0350S	3.5	42
TDS0360S	3.6	42
TDS0400S	4.0	42
TDS0440S	4.4	42
TDS0480S	4.8	42
TDS0500S	5.0	42
TDS0600S	6.0	51
TDS0630S	6.3	51



QC

Quick - Change Chuck

For 1/4" (6.3mm) hexagonal shanks.

Converts all standard drill chucks into Quick Change attachment. Insert this chuck into a power drill chuck and tighten it using the chuck key.

Now you can change tools instantly by just pulling the sleeve.

No chuck key needed anymore!

QCL6306 Professional chuck



QCH6306 DIY chuck



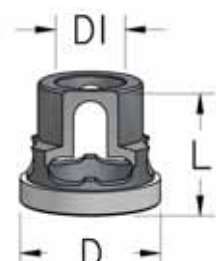
REPLACEMENT DEPTH STOPPERS

TATP

Low Friction Depth Stopper

With replaceable polymer ring.

Tool No.	DI	D	L
TATP130	13	25	25
TATP150	15	28	25



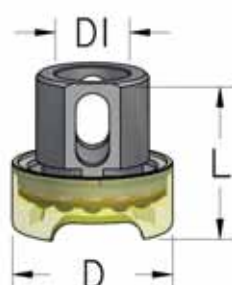
TAB

Non Friction Depth Stopper

Revolving metal body.

Includes a thrust ball bearing.

Tool No.	DI	D	L
TAB1300	13	32	32.5
TAB1500	15	32	32.5



BTAT

Polymer collar Replacement kit

- 1 Stopper body
- 2 Polymer ring
- 3 Flange



Tool No. Contains

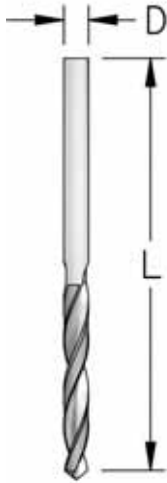
- | | |
|----------|---|
| BTAT0255 | Flange plus 5 Polymer rings for TATP130 |
| BTAT0285 | Flange plus 5 Polymer rings for TATP150 |



DR HSS Drills

DIN 338. M2 Fully ground.

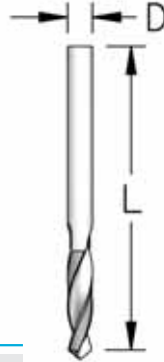
Tool No.	D	L
DR02000	2.0	49
DR02400	2.4	57
DR02500	2.5	57
DR02800	2.8	61
DR03000	3.0	61
DR03200	3.2	65
DR03500	3.5	70
DR03600	3.6	70
DR04000	4.0	75
DR04400	4.4	80
DR04500	4.5	80
DR04800	4.8	86
DR05000	5.0	86
DR05600	5.6	93
DR06000	6.0	93
DR06300	6.3	101
DR07000	7.0	109



DRK HSS Short Drills

DIN 1897.
M2 Fully ground.

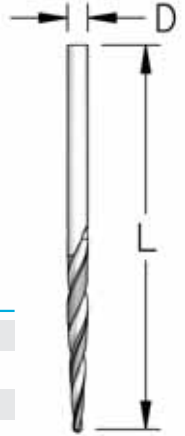
Tool No.	D	L
DRK0280	2.8	46
DRK0300	3.0	46
DRK0320	3.2	49
DRK0350	3.5	52
DRK0360	3.6	52
DRK0400	4.0	55
DRK0440	4.4	58
DRK0450	4.5	58
DRK0480	4.8	62
DRK0500	5.0	62
DRK0600	6.0	66



DRT HSS Taper Point Drills

M2 Fully ground.

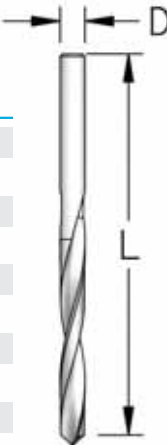
Tool No.	D	L
DRT0200	2.0	51
DRT0240	2.4	57
DRT0280	2.8	68
DRT0320	3.2	70
DRT0360	3.6	73
DRT0400	4.0	80
DRT0440	4.4	83
DRT0480	4.8	89
DRT0500	5.0	89
DRT0560	5.6	95
DRT0600	6.0	98
DRT0630	6.3	102



DRS HSS Slow Spiral Drills

DIN 338. M2 Fully ground.

Tool No.	D	L
DRS0200	2.0	49
DRS0240	2.4	57
DRS0280	2.8	61
DRS0300	3.0	61
DRS0320	3.2	65
DRS0350	3.5	70
DRS0360	3.6	70
DRS0400	4.0	75
DRS0440	4.4	80
DRS0480	4.8	86
DRS0500	5.0	86
DRS0560	5.6	93
DRS0600	6.0	93
DRS0630	6.3	101
DRS0800	8.0	117
DRS0900	9.0	125
DRS0950	9.5	125
DRS1110	11.1	142
DRS1270	12.7	150

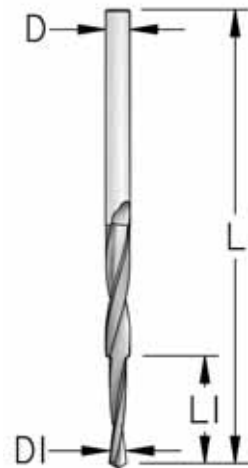


DR HSS Stepped Drills

M2 Fully ground.

Unique solution for one drilling operation of:
Pilot hole + Clearance hole.

Tool No.	DI	D	L	LI
DR24036	2.4	3.6	70	16
DR28040	2.8	4.0	75	19
DR32044	3.2	4.4	80	22
DR35050	3.5	5.0	86	25
DR50070	5.0	7.1	109	25



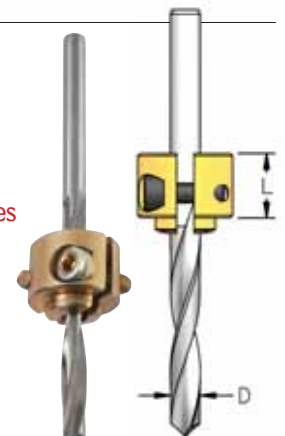
TATM Adjustable Drill Depth-Stops

Can be clamped onto any drill, either on the flute or on the shank.

An innovative and universal solution to the problem of drilling holes to an accurate depth.

Special design to minimize any marks on the surface being drilled.

Tool No.	D	L
TATM3070	3-7	14
TATM6100	6-10	20



Why should I become a WPW business partner?

- Professional quality
- Comprehensive range of tools
- Best carbide grades available
- Creative and experienced engineering team
- Production with unique progressive automation
- Reliability and fast delivery
- Service above all
- Worldwide export for more than 40 years
- Excellent value for your money



26 Hahermesh St., Industrial Area, Karmiel
P.O.Box 6444, Karmiel 2165270, Israel
Phone: +972-4-9989482 | Fax: +972-4-9882817
Web: www.wpw-tools.com | E-mail: info@wpw.co.il